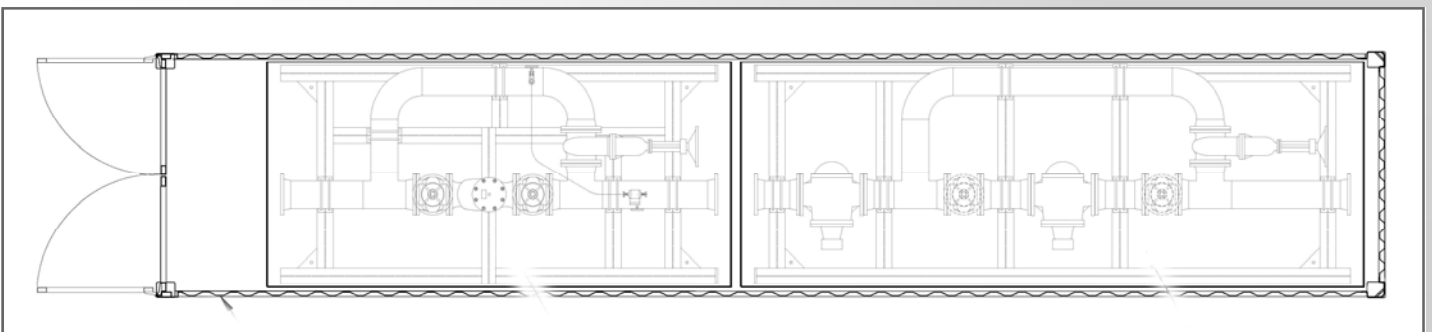




METERING SYSTEMS

DESIGN PHILOSOPHY

SITES design Fluid Metering Systems for accurate measurement and sampling of various hydrocarbon liquids ranging in viscosity. The complete system includes inlet basket strainers, air eliminators, positive displacement or turbine flow meters, back pressure control valve, suction/discharge piping, valves, instrumentation, controls and is designed to minimize field assembly.



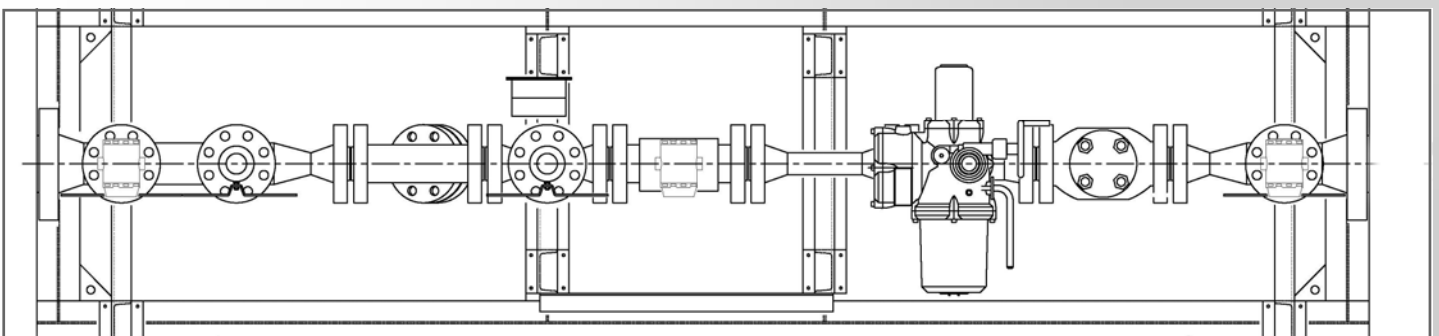
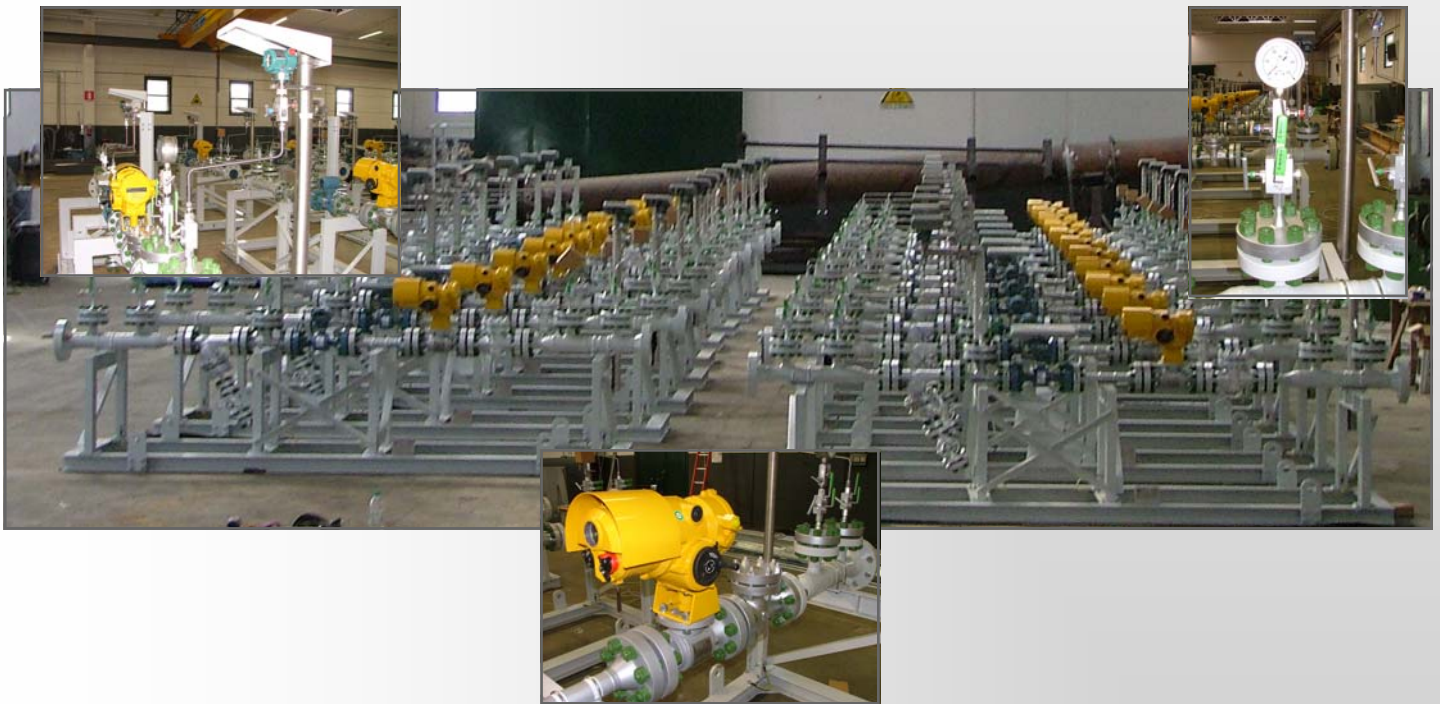
DESIGN PHILOSOPHY

The Metering Skid consist of a metal frame onto which pipes, ball valves, butterfly control valves pressure safety valves, pressure gauges, drainage system, field insutrumetation and auxiliary equipment have been installed. Part of the ball valves are equipped with electrical dives to allow automated flow control and setting of operation.



All the valves can have the DBB design to provide dual isolation.

The standard metering system instrumentation consists of a flow meters, pressure transmitter, temperature transmitters and a batch of controller.



CERTIFICATE OF APPROVAL

This is to certify that the Quality Management System of:

**SITES S.r.l.
Via Trento, 82
22070 Fenegrò (Como) – Italia**

has been approved by Lloyd's Register Quality Assurance to the following Quality Management System Standards:

ISO 9001:2008

The Quality Management System is applicable to:

Engineering, manufacturing, assembly and assistance of gas, air, oil and gas treatment plants for petrochemical and energy companies.


This certificate is valid only in association with the certificate schedule bearing the same number on which the locations applicable to this approval are listed.

Approval Certificate
No: LRC 6009580/QMS/UE/N

Original Approval: 2nd June 2010

Current Certificate: 14th June 2016

Certificate Expiry: 14th September 2018

Issued by: 
Lloyd's Register Quality Assurance Italy Srl
for and on behalf of Lloyd's Register Quality Assurance Limited



001

This document is subject to the provision below
Via Cadorna, 69 20090 Vimodrone (MI)

For and on behalf of 1 Trinity Park, Bickenhill Lane, Birmingham, B37 7ES, - United Kingdom.

This approval is granted in accordance with the UKAS assessment and certification procedures and controlled by UKAS.

The use of the UKAS Accreditation Mark indicates Accreditation in respect of those activities covered by the Accreditation Certificate Number 001

Lloyd's Register Group Limited, its affiliates and subsidiaries, including Lloyd's Register Quality Assurance Limited (LRQA), and their respective officers, employees or agents are, individually and collectively, referred to in this clause as 'Lloyd's Register'. Lloyd's Register assumes no responsibility and shall not be liable in any proceedings for any loss, damage or expense caused by reliance on the information or advice in this document or for any other loss, damage or expense caused by persons who have signed a contract with the relevant Lloyd's Register entity for the provision of this information or advice and in that case any responsibility or liability is exclusively on the terms and conditions set out in that contract.

CERTIFICATE SCHEDULE

**SITES S.r.l.
Via Trento, 82
22070 Fenegrò (Como) – Italia**

Locations

Via Trento, 82
22070 Fenegrò (Como) – Italia

Via Milano, 74 b
22070 Bregnano (Como) - Italia

Activities

Engineering, project management, manufacturing and assembly and assistance of electrical panels, control and power panels for petrochemical and energy companies. Prefabrication of steel structures.

Engineering, project management, manufacturing and assembly of gas, air, oil and gas equipment for petrochemical and energy companies. Technical assistance activities.

Approval Certificate
No: LRC 6009580/QMS/UE/N

Original Approval: 2nd June 2010

Current Certificate: 14th June 2016

Certificate Expiry: 14th September 2018

Page 1 of 1



001

This document is subject to the provision below
Via Cadorna, 69 20090 Vimodrone (MI)

For and on behalf of 1 Trinity Park, Bickenhill Lane, Birmingham, B37 7ES, - United Kingdom.

This approval is granted in accordance with the UKAS assessment and certification procedures and controlled by UKAS.

The use of the UKAS Accreditation Mark indicates Accreditation in respect of those activities covered by the Accreditation Certificate Number 001

Lloyd's Register Group Limited, its affiliates and subsidiaries, including Lloyd's Register Quality Assurance Limited (LRQA), and their respective officers, employees or agents are, individually and collectively, referred to in this clause as 'Lloyd's Register'. Lloyd's Register assumes no responsibility and shall not be liable in any proceedings for any loss, damage or expense caused by reliance on the information or advice in this document or for any other loss, damage or expense caused by persons who have signed a contract with the relevant Lloyd's Register entity for the provision of this information or advice and in that case any responsibility or liability is exclusively on the terms and conditions set out in that contract.

SITES S.R.L.

VIA TRENTO, 82

22070 FENEGRÒ (CO) - ITALY

TEL.: +39 0313520081

FAX: + 39 0313520863

EMAIL: INFO@SITESSRL.COM

WWW.SITESSRL.COM